

Product Information

Language	English
Nr.	279
Data	6/2018
Subject	GS 371 - GS 411 - GS 451



our power, your passion

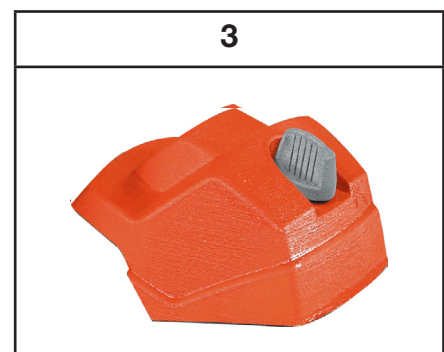
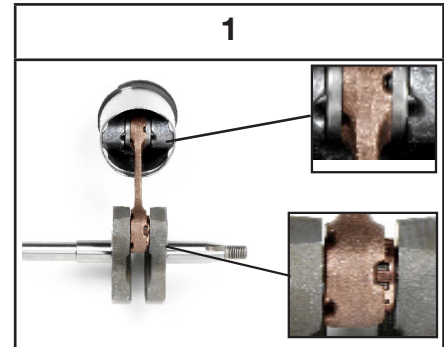
NEW CHAINSAWS GS 371-411-451



Developed to satisfy the needs of a wide range of users, from homeowners for small scale pruning and limbing activities, cutting small and medium diameter trunks and general firewood cutting duties, to groundcare professionals for limbing, pruning and cutting medium diameter trunks. Compactness, versatility and an excellent power-to-weight ratio ensure excellent cutting performance for all types of use. Primer, on/off lever/multi-function choke, aluminium oiler, hybrid anti-vibration system (3 springs + 2 rubber mounts), "EasyOn": just so me of the advanced technical solutions that assure the best possible performance in conditions of the maximum comfort and safety.

Performance and Plus Points

- **Piston with 2 rings**, forged and machined steel crankshaft, needle roller bearings, nickel plated cylinder: guaranteed constant efficiency through time, even in the case of heavy duty use
- **High cutting speed** (better than 17 m/s): fast, clean and accurate cutting action, without damaging the tree.
- **Engine transfer ports**, exhaust port and silencer designed to ensure optimum combustion and high power output while significantly reducing pollutant emissions and noise levels. In particular, the cylinder of model GS 451 has been optimized to achieve a significant reduction in fuel consumption
- **Filter cover with knob**: allows rapid and tool-free access to the "Ice device" system, inspection and replacement of the air filter, and access to the spark plug (easy servicing).
- **Primer Device**: boosts the fuel flow to the carburettor to facilitate cold starts, starts after refuelling, and starts after long periods of disuse.

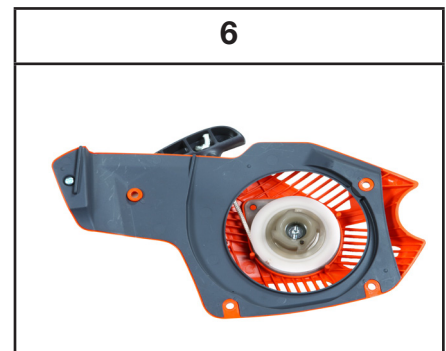


Performance and Plus Points

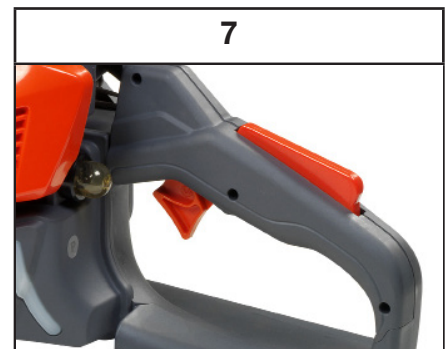
- **Nylon filter:** longer filter servicing intervals thanks to the large filtration surface



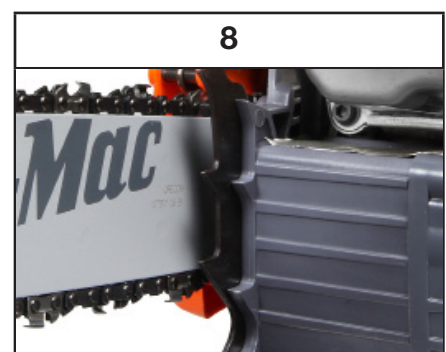
- **"EasyOn" starting system:** reduced recoil kick-backs during engine starts



- **On/off switch, choke and half-throttle control** incorporated into a single multifunction lever: guarantees practical and simple use of the tool.

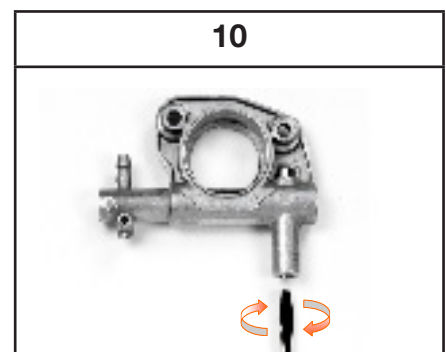
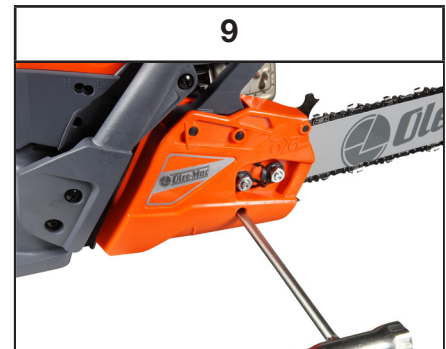


- **Plastic or steel double bucking spike** (removable): guarantees a secure anchorage on logs or branches, giving greater stability and better blade control during the cut.



Performance and Plus Points

- **Lateral chain tensioner:** simplifies tensioning adjustments while avoiding any risk of contact with the chain. The fixing nuts, which are integral with the chain guard, allow easier fastening because they can't be lost
- **Aluminium oiler:** facilitates the job of the operator by allowing the oil feed to be varied to suit the workload on the machine and the bar/chain combination. Zero oil flow with the engine at idling speed ensures lower consumption and reduced environmental impact.
- **Fuel tank with externally visible level:** easier management of refuelling stops.
- **Side handle covering in nonslip material:** enhanced grip during use of the tool.
- **Anti-vibration system** with 3 spring dampers and 2 rubber mounts: interposed between handle and engine support, the anti-vibration system keeps the operator's hands and body fully isolated from machine vibrations for the maximum comfort.





our power, your passion

MODEL	OM	GS 37 (EXTRA CE) GS 371 (EURO 5)	GS 41 (EXTRA CE) GS 411 (EURO 5)	GS 45 (EXTRA CE) GS 451 (EURO 5)
ENGINE				
TYPE		2 Stroke Emak (EXTRA CE / EURO 5)		
DISPLACEMENT	cm ³	35.2	39	42.9
BORE x STROKE	mm x mm	38 x 31	40 x 31	42 x 31
MAX POWER	HP/kW (rpm)	2.4 / 1.8 (8,500)	2.6 / 1.9 (8,500)	2.9 / 2.1 (9,000)
MAX TORQUE	Nm (rpm)	2.4 (6,500)	2.7 (6,500)	2.85 (6,500)
IDLE RPM	rpm	2,600 - 3,200		
MAX RPM AT NO LOAD	rpm	11,500-12,700	11,600-12,800	11,700-12,900
FUEL CONSUMPTION (max power)	g/h (rpm)	800 (7,700)	820 (8,000)	920 (8,500)
IGNITION SYSTEM				
TYPE		Electronic		
COIL		DGI Digital		
SPARK PLUG		CHAMPION RCJ-7Y		
ICE DEVICE SYSTEM		Yes		
EASY ON SYSTEM		Yes		
FUEL AND LUBRIFICATION SYSTEM				
CARBURETOR		WALBRO WT 780-G		
AIR FILTER		Air filter in nylon with large surface area		
FUEL		Mix 4% with PROSINT 2% (50:1) oil		
FUEL TANK CAPACITY	l	0.32		
PRIMER		Yes		
TRANSMISSION SYSTEM				
TRANSMISSION		Pinion		
CLUTCH		Centrifugal (3600 rpm clutch engagement)		
PINION TEETH (N°)		6	6 (3/8") 7 (.325")	7
SAFETY				
NOISE PRESSURE (L _{pa} av EN 11681-1, EN 22868)	dB(A)	100.4	100.2	103.0
NOISE POWER (L _{wa} 2000/14/EC, EN 22868, EN ISO 3744)	dB(A)	110.9	111.2	114.0
VIBRATION LEVEL (EN 11681-1, EN 22867, EN 12096)	m/s ²	5.2 (LH) / 6.5 (RH)	3/8": 5.1 (LH) / 5.9 (RH) .325": 4.6 (LH) / 5.2 (RH)	4.3 (LH) / 4.8 (RH)
UNCERTAINTY (EN 12096)	m/s ²	1.6 (LH) / 1.9 (RH)	3/8": 2.0 (LH) / 1.8 (RH) .325": 1.9 (LH) / 2.1 (RH)	1.7 (LH) / 2.5 (RH)
ERGONOMICS				
FRONT HANDLE		Plastic		
REAR HANDLE		Ergonomic		
ANTIVIBRATION SYSTEM		N°3 spring + N°2 rubber absorbers		
CUTTING SYSTEM				
BAR LENGHT	cm (inch)	35 - 41 (14" - 16")	41 (16")	41 - 46 (16" - 18")
CHAIN PITCH / GAUGE	inch x inch	3/8" x .050" Special	3/8" x .050" Special	.325" x .050" Microlite
CHAIN BRAKE		Inertial		
OIL TANK VOLUME	l	0.22		
OIL PUMP		Automatic/zero flow rate at idle	Automatic/zero flow rate at idle /Adjustable	
CHAIN TENSIONER		On the side/2 nuts with retainer		
HOOK		Plastic and steel		
HOMOLOGATIONS				
WEIGHT (Without cutters and bar)	kg	4.3	4.4	4.5
WEIGHT POWER RATIO	kg/kW	2.4	2.3	2.1



It's an **Emak S.p.A.** trademark
42011 Bagnolo in Piano (RE) Italy
www.myoleomac.com
www.youtube.com/MyOleoMac
www.facebook.com/OleoMacItalia
www.instagram.com/OleoMacItalia